

INSTRUCTIONS FOR USE: Prone Headrest

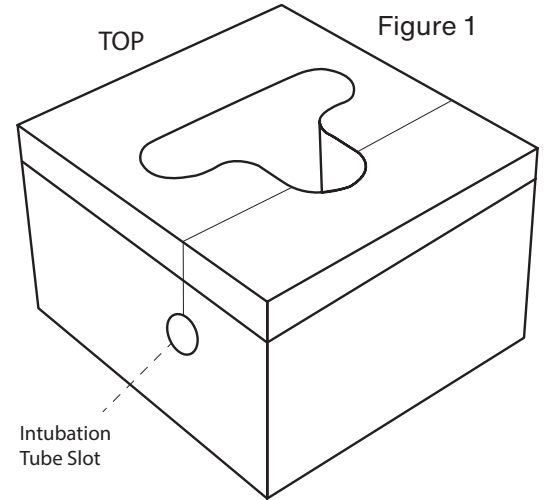
1. Remove prone headrest from packaging. To ensure full expansion of the headrest, wait at least five minutes prior to positioning patients.
2. Place the headrest on the OR table relative to the anticipated position of the patient's head. The "T" shaped hole should be positioned as shown in Figure 1.
3. Place the intubated patient's face onto the headrest and feed the intubation tube through the slot on the side of the headrest. The patient's eyes, eyebrows and nose should be centered within the "T" shaped hole on the head rest to prevent pressure on the patient's eyes.
4. Upon completion of the surgical procedure, remove the intubation tube from the headrest slot BEFORE removing the patient's face from the headrest.

PRECAUTION:

1. This headrest is intended for SINGLE-USE only, do not re-use.

WARNINGS:

1. Frequently monitor the patient's neck, head, eyes, nose and mouth to ensure that a safe position is maintained and that the ET tube has not been kinked or displaced. Failure to do so can lead to serious adverse consequences including blindness and failure to ventilate.



LITIFUPH001 R2 5/21/2021



702 Prominence Drive
Pittsburgh, PA 15068 U.S.A.

Tel: 724.337.5500
Fax: 724.337.0555



xodusmedical.com
info@xodusmedical.com

FDA REGISTERED
ISO 13485 CERTIFIED



xodusmedical.com/eifu

EMERGO EUROPE
Prinsesgracht 20
2514 AP The Hague
The Netherlands