

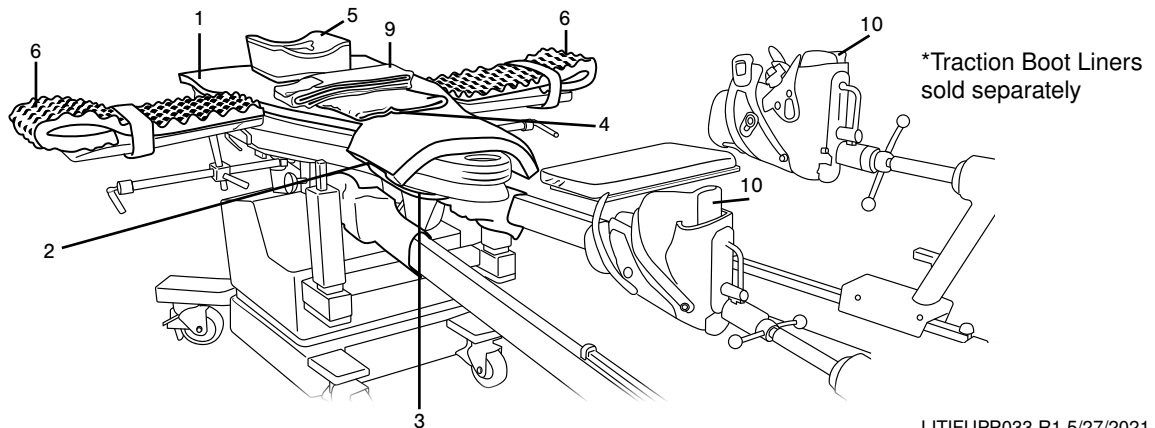
INSTRUCTIONS FOR USE: Postless Hip Arthroscopy Positioning System

1. Place The Pink Hip Pad™ at the perineal section of the table so that The Pink Hip Pad™ makes direct contact with the table's surface. Position the white Velcro® straps on the underside of The Pink Hip Pad™ so that the "This Side Up" tag is facing upwards.
2. Attach the white Velcro® straps to the surgical bed rails by looping under the rail and affixing the ends of the Velcro® together.
3. Attach purple strap under the surgical table by first placing the longer end of the purple straps under the table, followed by overlapping the longer end of the strap with the shorter end of the strap. Make sure to press the white hook material of the shorter end of the strap firmly onto the longer end of the strap to secure in place.
4. Lay the lift sheet over the pad, centered between the Velcro® straps as shown. The lift sheet should cover only the portion of the pad that will be addressing the "small" of the patient's back – below the Scapula region and above the Sacrum.
5. Place head positioner above The Pink Hip Pad™ in a location sufficient for patient head placement.
6. Place one Arm Board Pad under the patient's arm that is on the opposite side of the operative hip. Place arm on armboard with palms up, or per hospital positioning protocol. Begin IV or intubation.
7. Put patient's feet in Traction Boot Liners*.
8. Lay other arm across patient's chest with the other Arm Board Pad so that it cushions the patient's arm on their chest.
9. Attach the body straps as follows:
 - a. Feed strap around the underside of the table
 - b. Bring two ends to the top side of the table and place the "hook" Velcro® side on top of the "loop" Velcro® side
10. Place patient's wrapped feet in each Traction Boot and secure straps.
11. **IMPORTANT**-Position patient so that the shoulders do not extend past the top edge of the pad.
IMPORTANT-The skin of the Scapula region and Sacrum must contact the pad surface
 Utilize the included lift sheet to carefully lift the patient up and off the pad to reposition as needed for safe and proper application of stirrups. Do not drag patient on pad. Make sure pad remains completely flat at all times.



ATTENTION:

1. Before using The Pink Hip Kit™, ensure O.R. table pad is securely affixed to the O.R. table.
2. Be sure to follow your facility's policies and guidelines for frequency of patient monitoring. Check for skin integrity and proper circulation. Product is to be used by a licensed medical professional only.
3. Handling & Storage: During ALL handling and storage, assure that the pad is flat. Do not roll or fold the pad.



LITIFUPP033 R1 5/27/2021



702 Prominence Drive
Pittsburgh, PA 15068 U.S.A.

Tel: 724.337.5500
Fax: 724.337.0555

xodusmedical.com
info@xodusmedical.com

FDA REGISTERED
ISO 13485 CERTIFIED


xodusmedical.com/eifu

EMERGO EUROPE
Prinsessegracht 20
2514 AP The Hague
The Netherlands