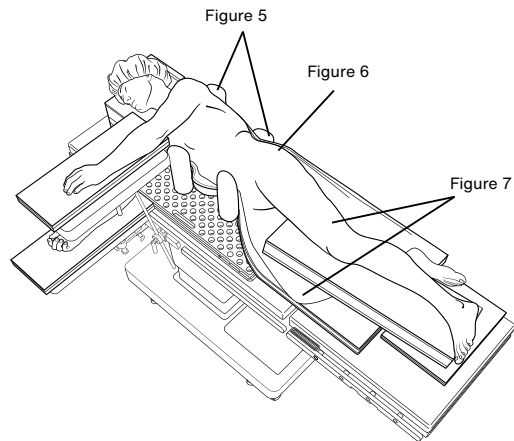
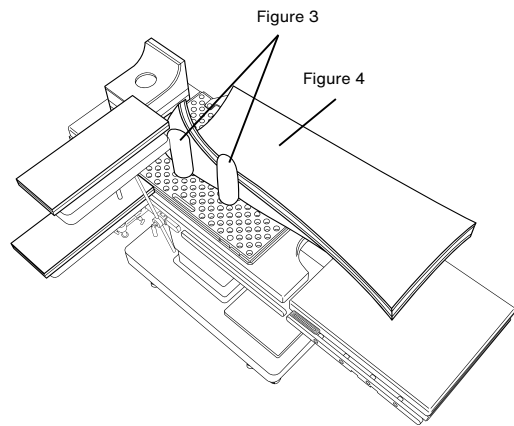
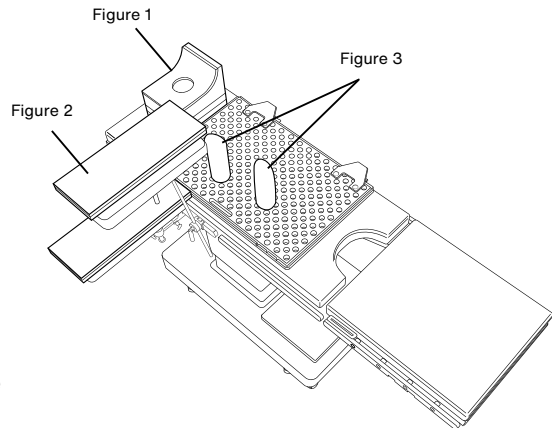


INSTRUCTIONS FOR USE: Pink Peg Board Positioning Kit™

1. Place the Lateral Headrest (*fig. 1*) and Armboard Protectors (*fig. 2*) in their respective locations.
2. Prepare positioning pegs by sliding DermaProx Peg Covers over all pegs intended for use.
3. Insert anterior pegs (*fig. 3*) - positioning should be determined based on patient anatomy and hospital protocol.
4. Position PinkProtect Base Pad (*fig. 4*) such that the centerline of the pad is in position between the anterior pegs (*fig. 3*) and the planned location of the posterior pegs (*fig. 5*).
5. Position the patient laterally according to hospital protocol.
6. Wrap the PinkProtect Base Pad against the patient's posterior (*fig. 6*).
7. Insert the posterior pegs into desired locations (peg locations based on individual patient positioning requirements and hospital protocol).

TIP: Slide DermaProx Peg Covers over pegs and insert covered peg assemblies into the pegboard.

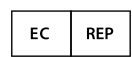
8. Position lower extremities (*fig. 7*) utilizing optional PinkProtect positioners or according to hospital protocol.
9. All kits contain a body strap. This component may be used to secure patients prior to patient positioning, as well as when the desired lateral position has been achieved. Strap location should be determined by patient anatomy and hospital protocol.



ATTENTION

1. Be sure to follow your facility's policies and guidelines for frequency of patient monitoring. Check skin for integrity and proper circulation. Product is to be used by licensed medical professionals only
2. Care should be taken to safeguard Pink Peg board Positioning Kit™ from exposure to prep solutions.

LITIFUPB001 R0 5/21/2021



702 Prominence Drive
Pittsburgh, PA 15068 U.S.A.

Tel: 724.337.5500
Fax: 724.337.0555

xodusmedical.com
info@xodusmedical.com

FDA REGISTERED
ISO 13485 CERTIFIED

 xodusmedical.com/eifu

EMERGO EUROPE
Prinsessegracht 20
2514 AP The Hague
The Netherlands