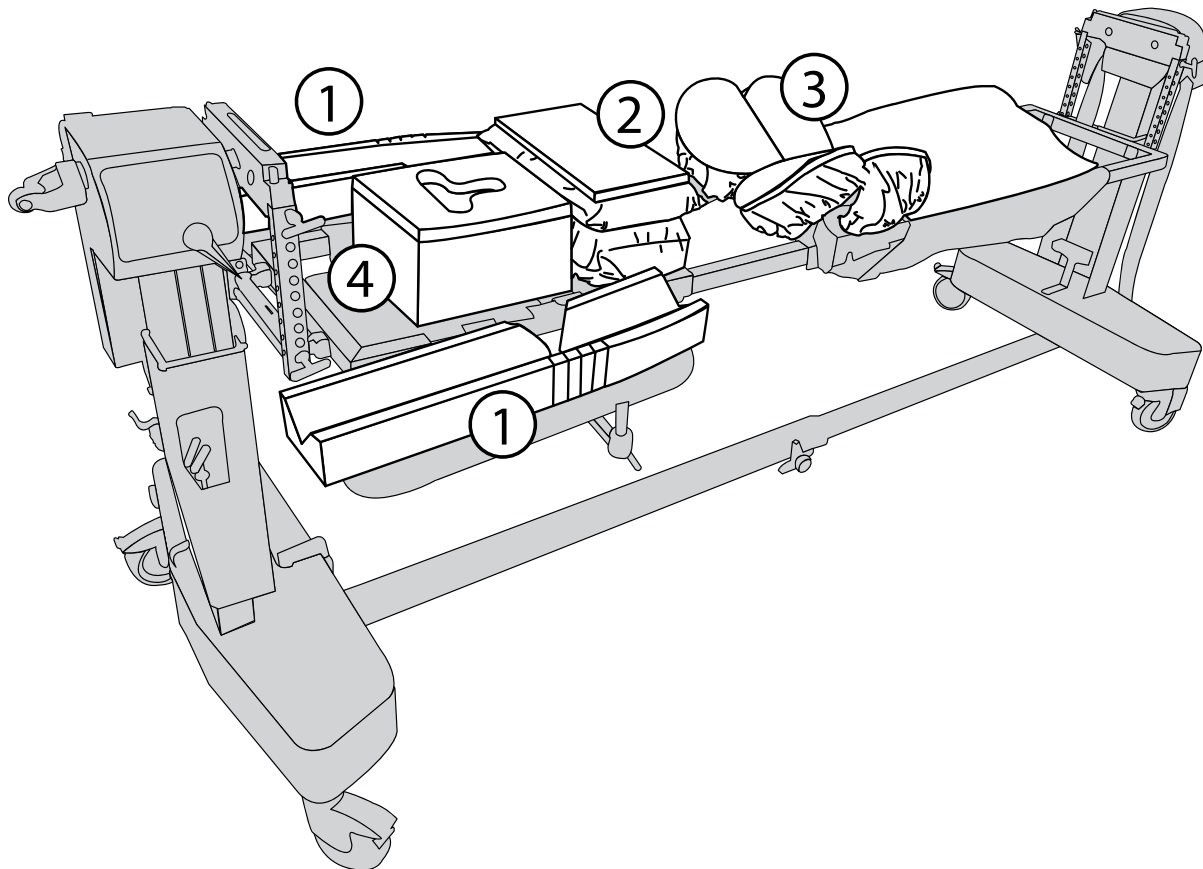


INSTRUCTIONS FOR USE: JACKSON TABLE

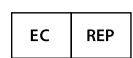
(kit may not contain all products listed below)

1. Place each arm cradle on corresponding arm board pad (left & right), making sure cut outs are facing outward for support of the entire are.
2. Place Torso Lift Cover securely over chest pad. Have DermaProx layer facing upwards for direct skin
3. Place hip/thigh covers securely over the four hip and thigh pads. If using DermaProx covers, make sure DermaProx is facing upward for direct skin contact.
4. Center head rest on head support board and make sure head rest oval opening is oriented correctly at the top of the table with the DermaProx layer facing upward.



702 Prominence Drive
Pittsburgh, PA 15068 U.S.A.

Tel: 724.337.5500
Fax: 724.337.0555



xodusmedical.com
info@xodusmedical.com

FDA REGISTERED
ISO 13485 CERTIFIED



EMERGO EUROPE
Prinsessegracht 20
2514 AP The Hague
The Netherlands