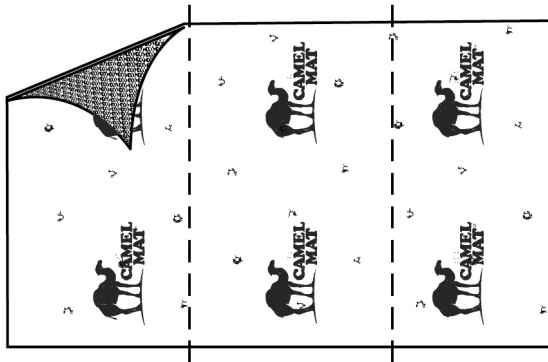
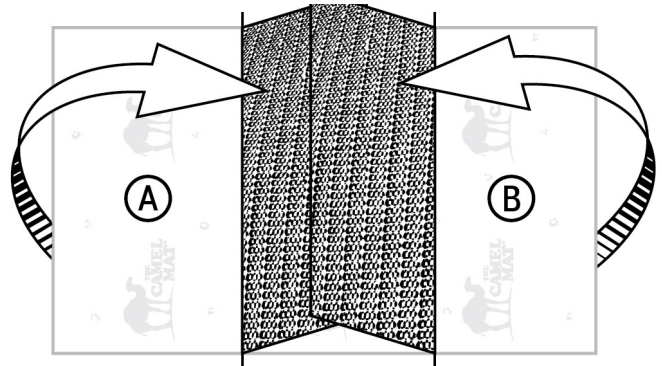


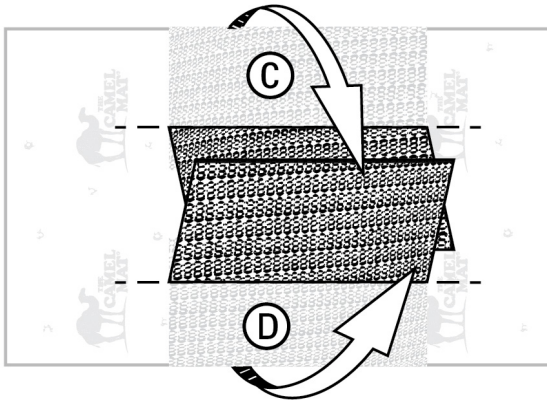
INSTRUCTIONS FOR USE: CAMEL MAT DISPOSAL



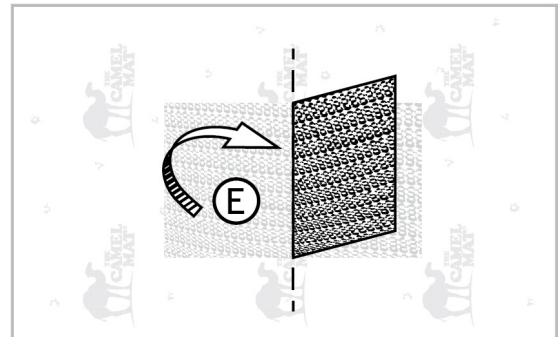
1. Start by orienting the used Camel Mat width wise and with the non-slip surface down and absorbent side facing up.



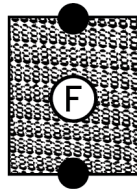
2. Fold by thirds side A to the right and side B to the left so side A folds underneath side B, making the two ends overlap each other.



3. Along the other axis, fold by thirds side C down and side D up so side C folds underneath side D, making the two ends overlap each other.



4. Fold side E to the left so that it splits the remaining mat in half.



5. Place hands on the top and bottom of the final folded mat (where the black circles are on Figure F) and carry flat to dispose of Camel Mat properly.

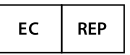


702 Prominence Drive
Pittsburgh, PA 15068 U.S.A.

Tel: 724.337.5500
Fax: 724.337.0555



xodusmedical.com
info@xodusmedical.com



FDA REGISTERED
ISO 13485 CERTIFIED



xodusmedical.com/eifu

EMERGO EUROPE
Prinsessegracht 20
2514 AP The Hague
The Netherlands

LITIFUCM001 R5 6/1/2021